

# Full Horizontal Swivel Motion



**Flexible viewing options**  
Optimise your viewing experience

**Moves horizontally with ease**  
Position your screen to the desired angle



**Enhance your living space**  
Multiple positions for every occasion

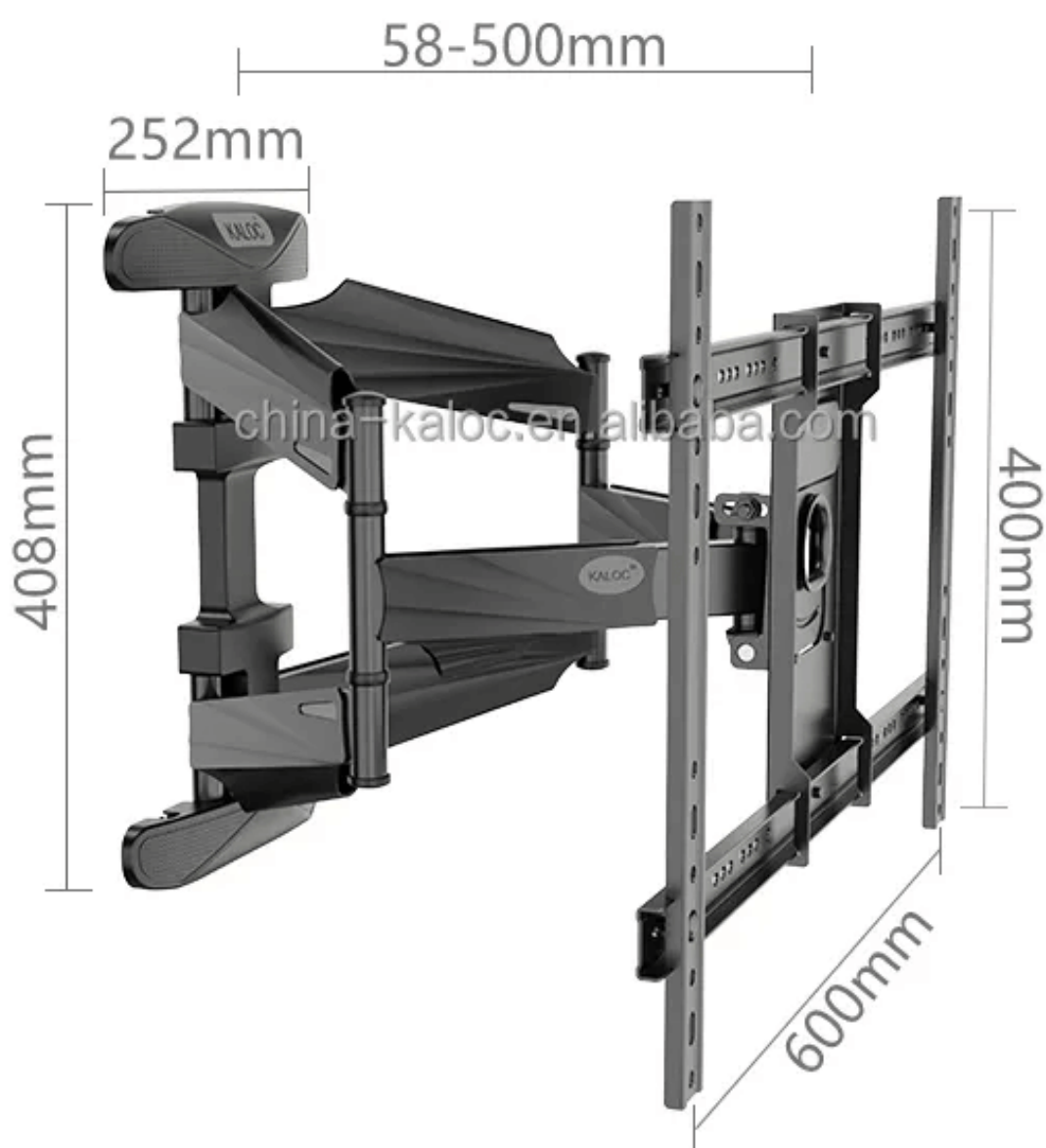
# six arms stay sturdy and stable

---

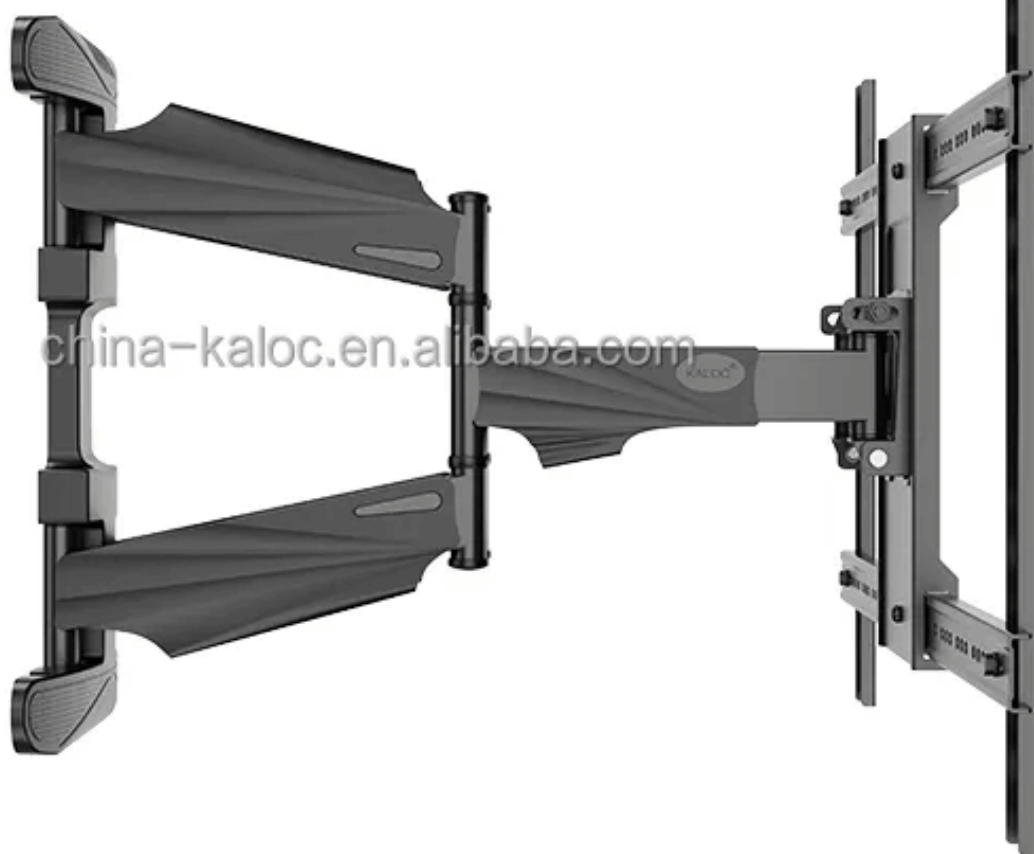


# Product parameters

---



# Distance to wall 58-500mm



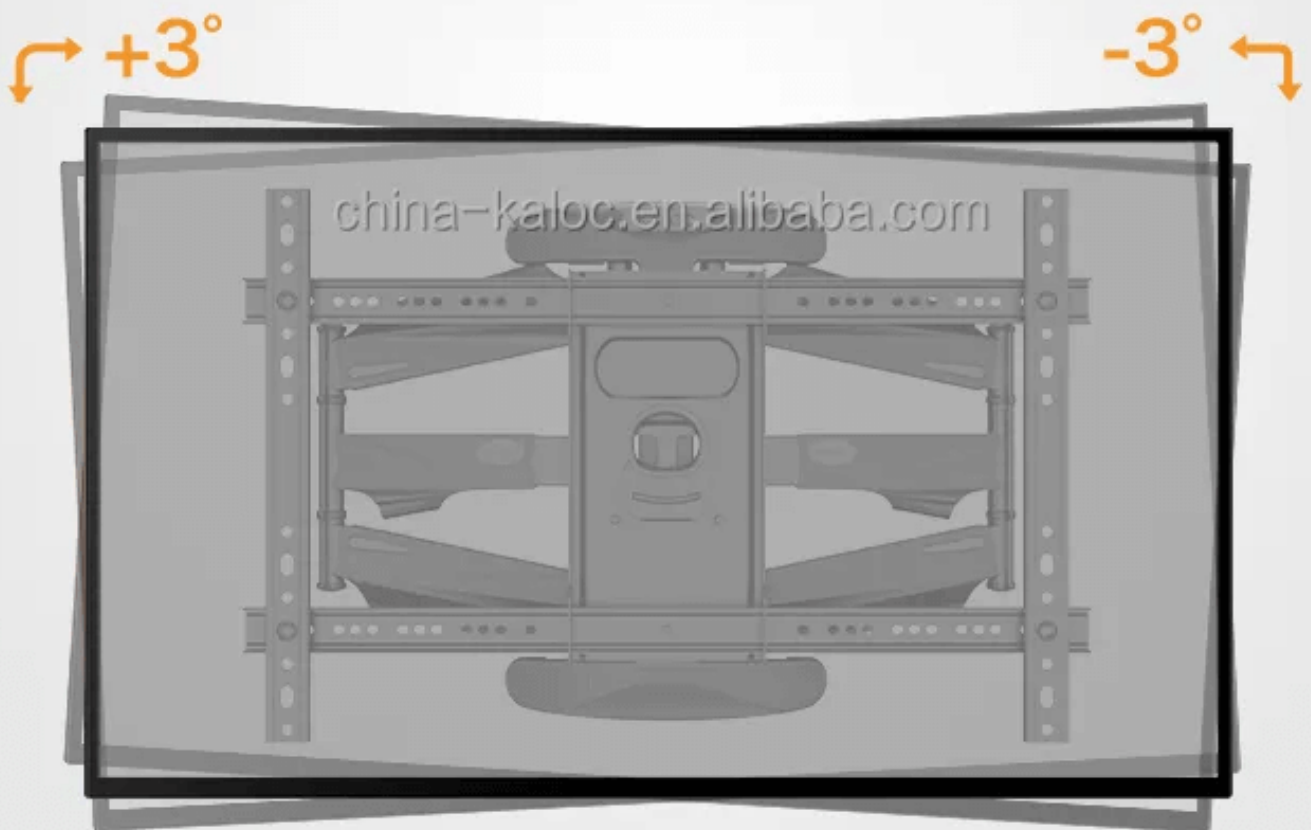
china-kaloc.en.alibaba.com

58mm

500mm

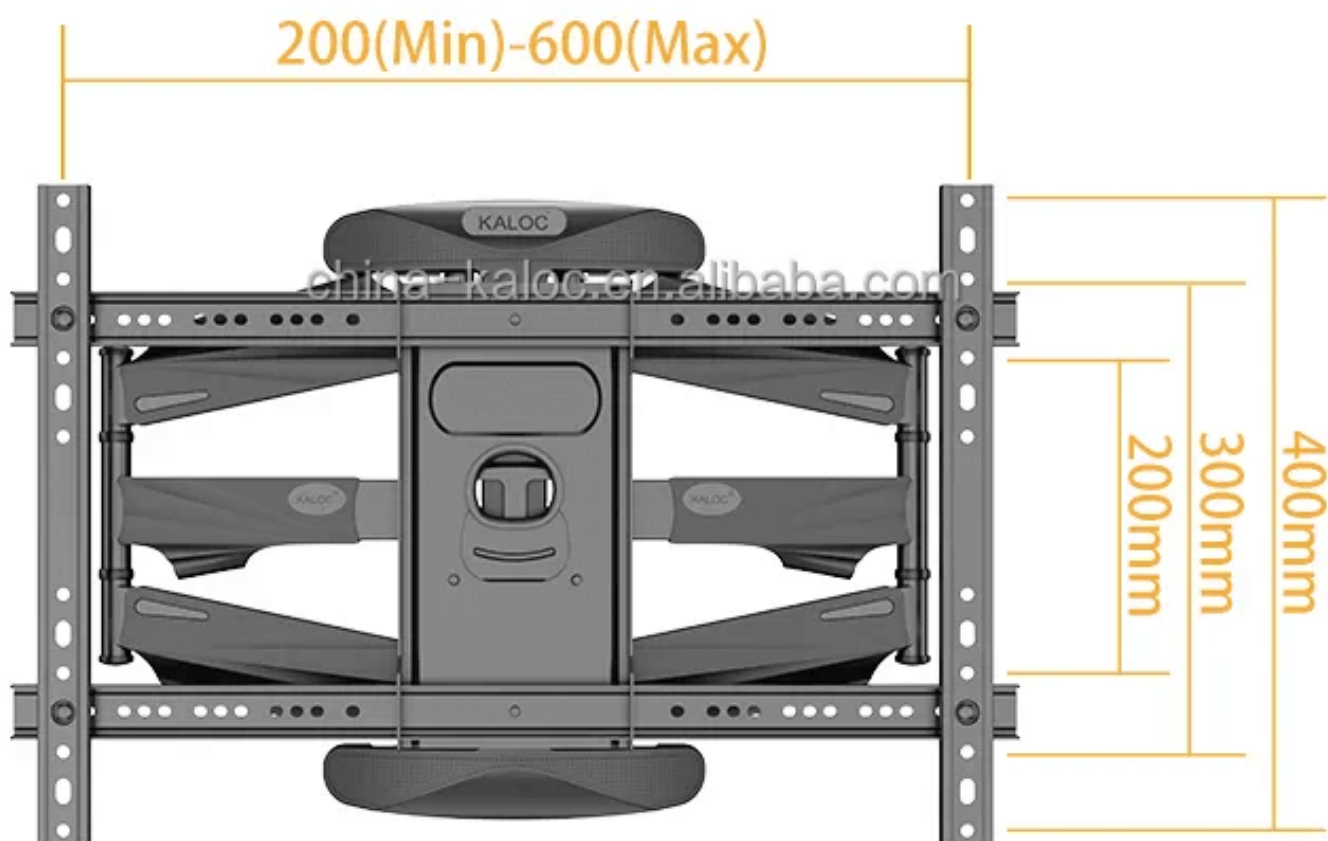
Horizontal rotation  
angle is  $\pm 3^\circ$

---



# Suitable for TVs 40-85

VESA compatible from 200x200mm up to 600x400mm



Cold Rolled steel is not easy  
to break in forging



# Concealed Cables-Contemporary Design

Special Cable management panels for safety & style



Includes three unique and stylish concealment panels which enhance safety by removing trailing cables

the lower panels eliminate risk of cables trapping when the TV mount is in motion



Tilt adjustment angle is  $-5^{\circ}$  /  $+8^{\circ}$

