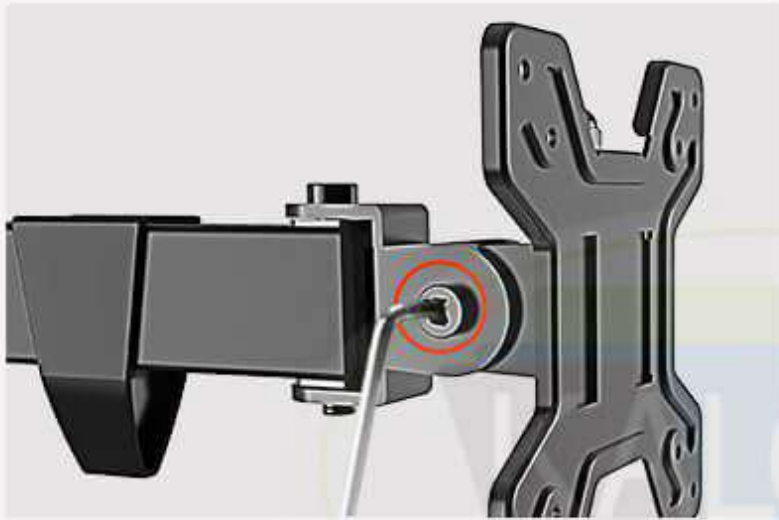
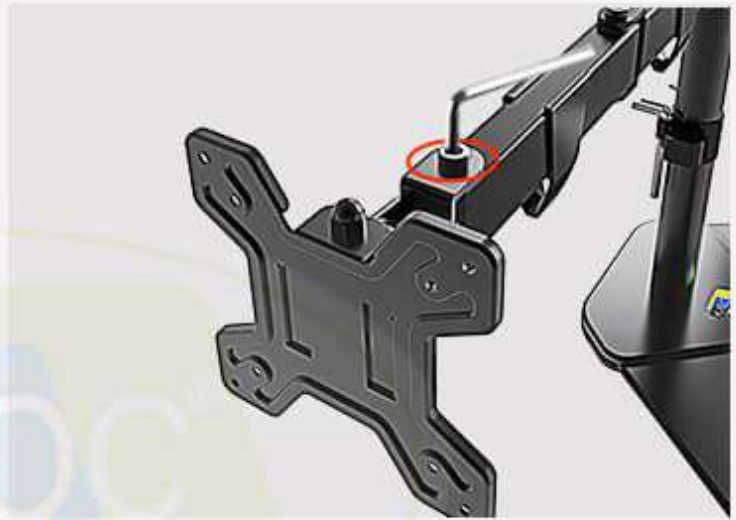




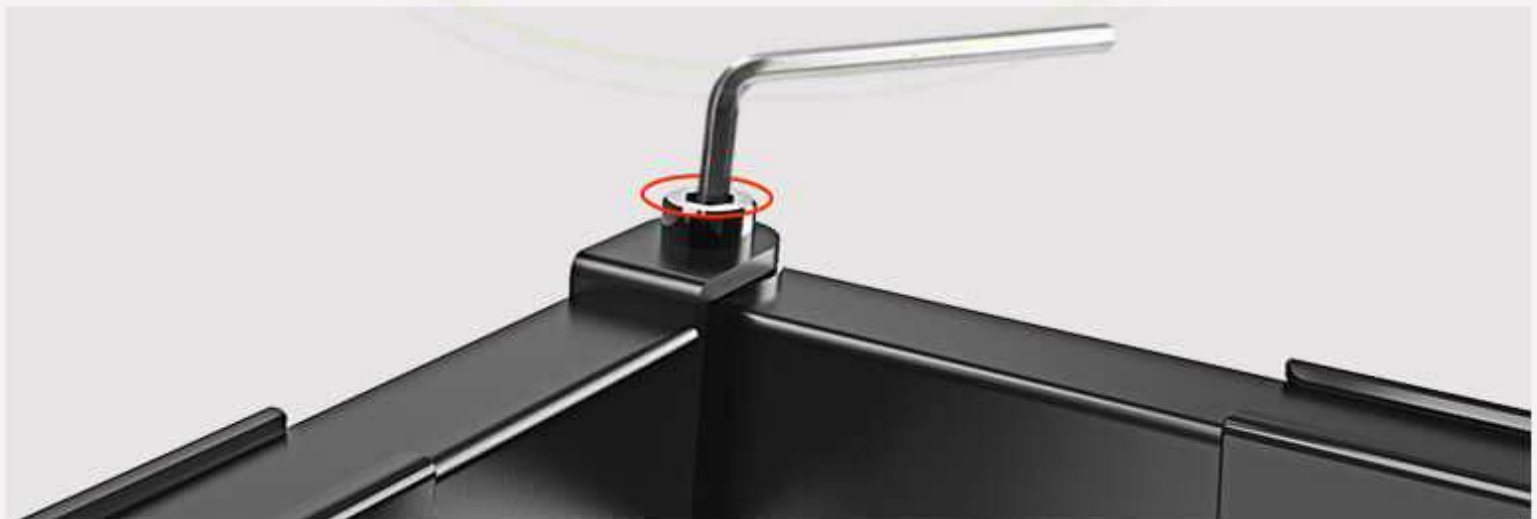
THE JOINT IS LOOSE AND ADJUSTABLE, AND IT IS EASIER TO USE



① tilt angle adjustment



② left and right adjustment



③ wishbone adjustment

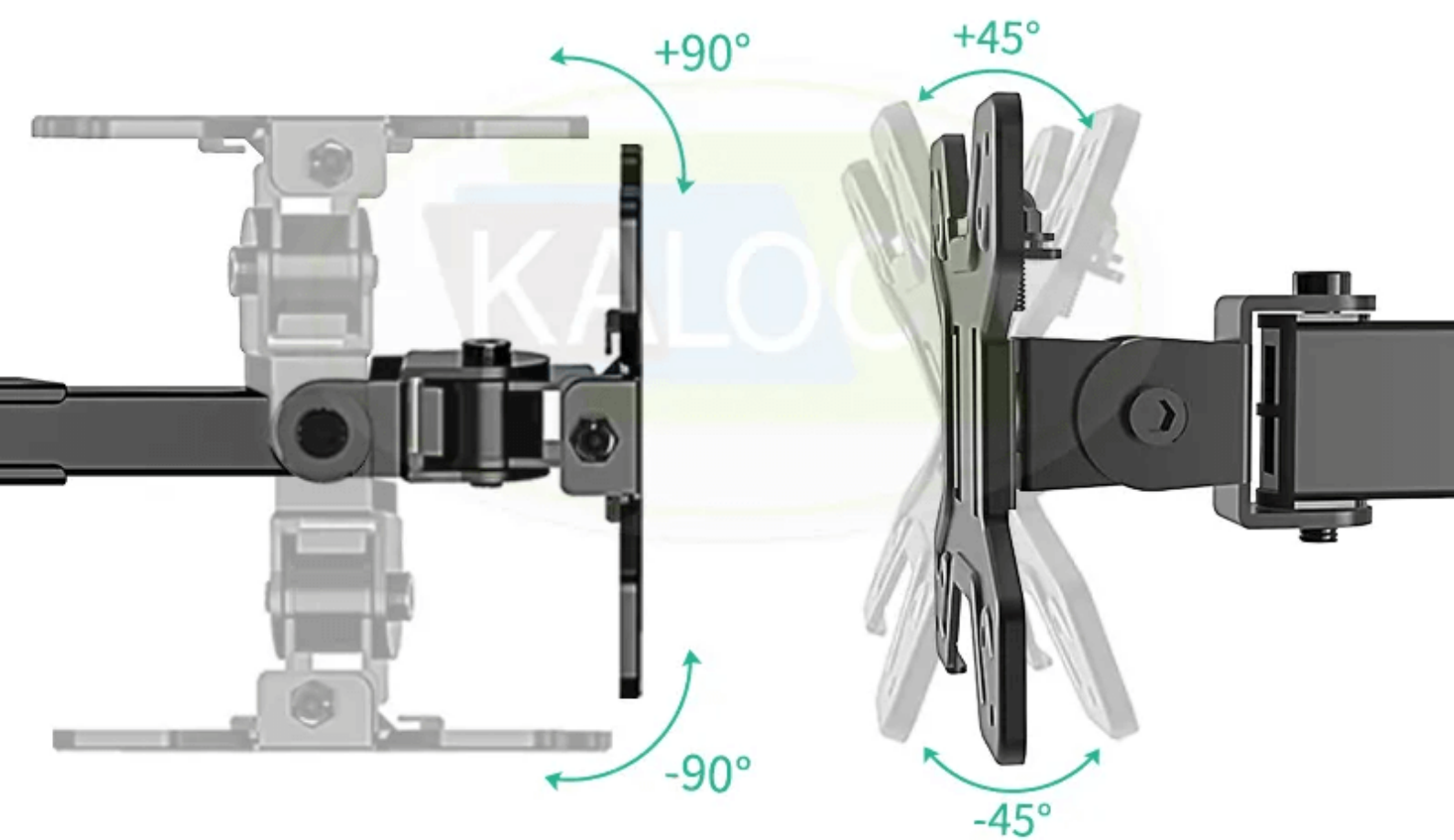


Adjust height freely





TILT ANGLE ADJUSTMENT





Follow the line of sight and adjust and angle arbitrarily

The three nodes rotate at will, and the screen angle is not limited





ONE-PIECE THICKENED BASE FOR EASIER INSTALLATION

AREA "V" WORD SOLID DESIGN, FIRMLY BEARING YOUR DISPLAY



The bottom has a non-slip
mute sponge pad

