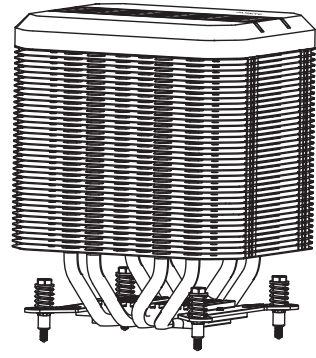

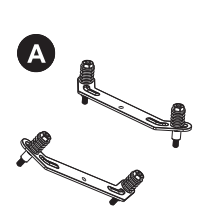
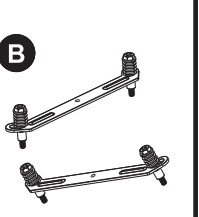
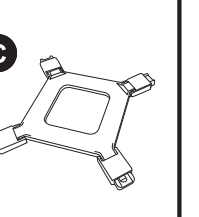
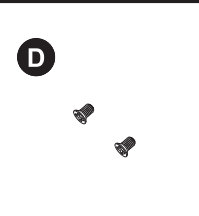
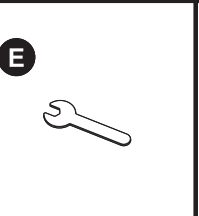
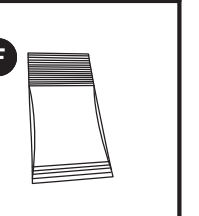

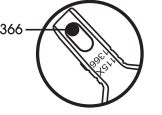
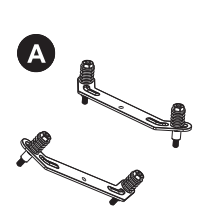
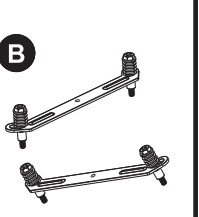
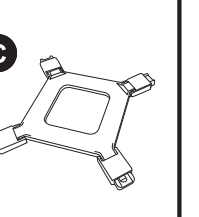
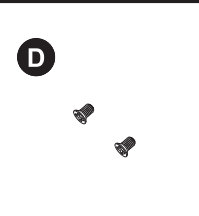
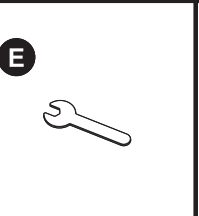
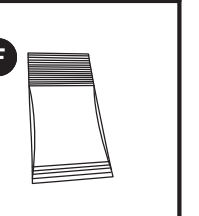
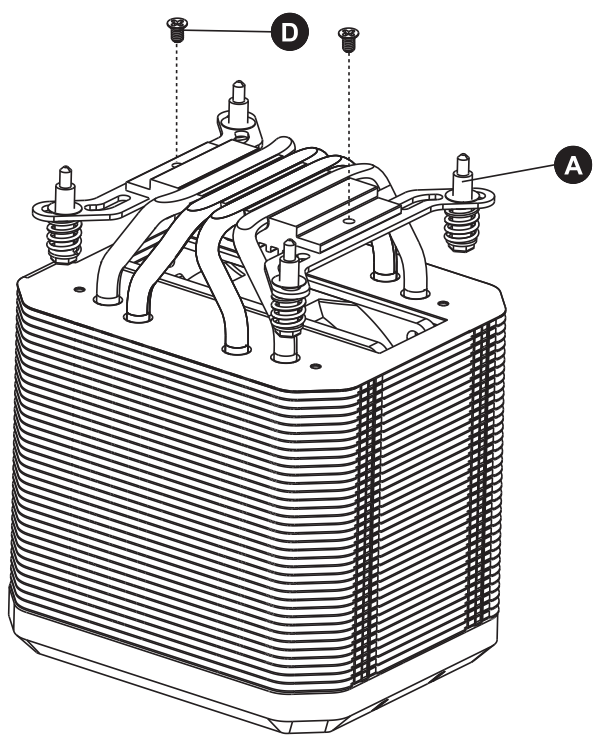
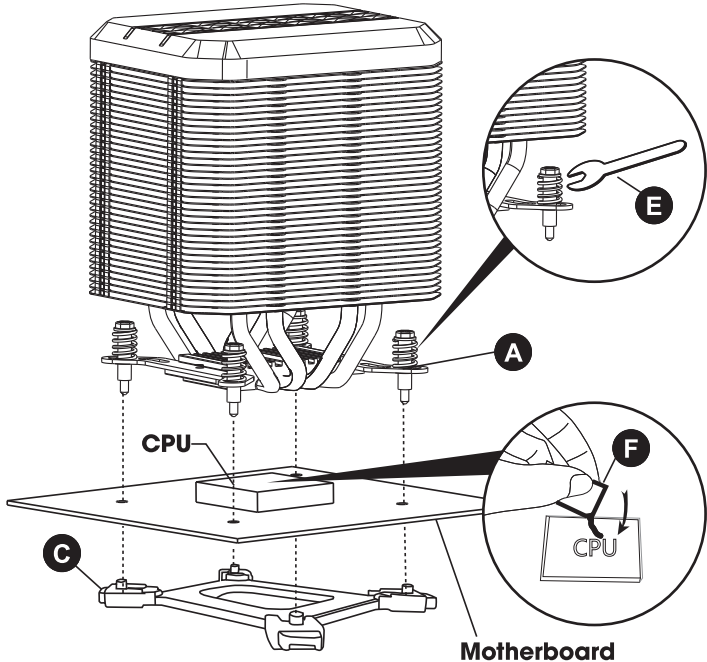
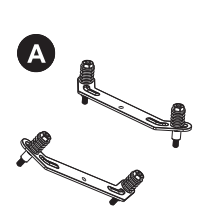
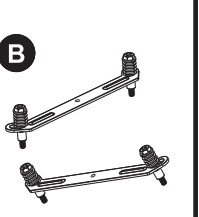
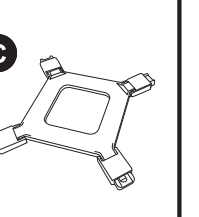
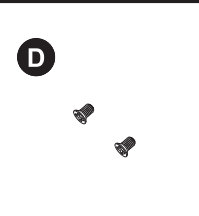
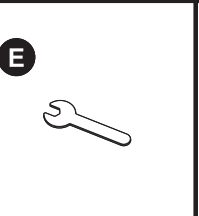
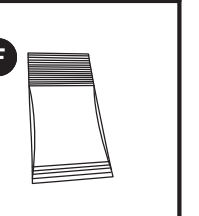
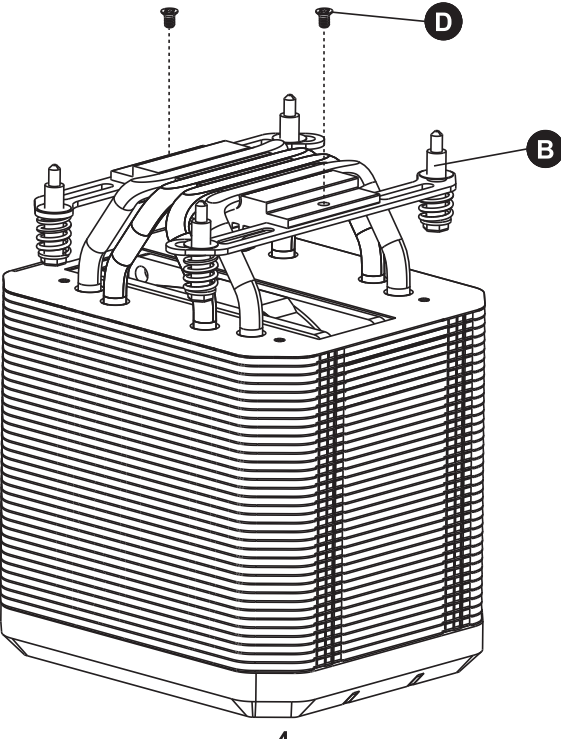
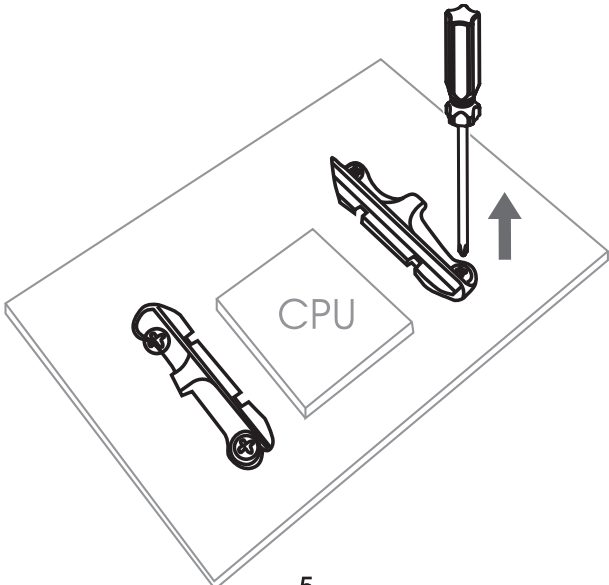
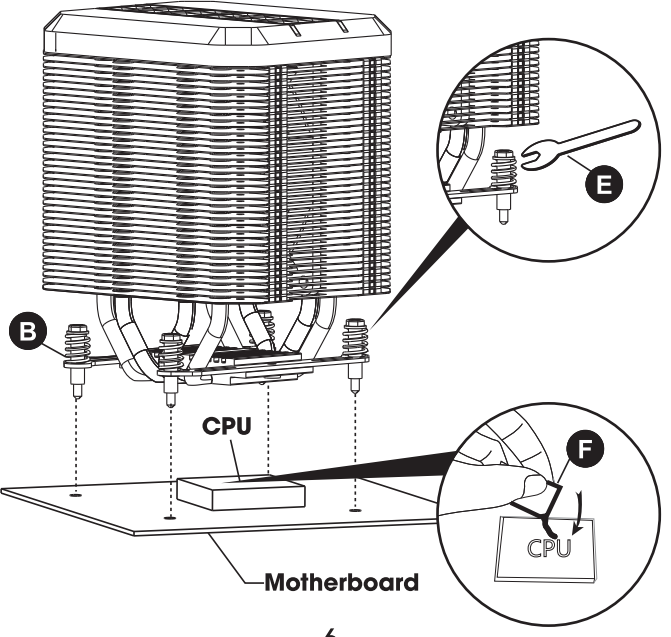
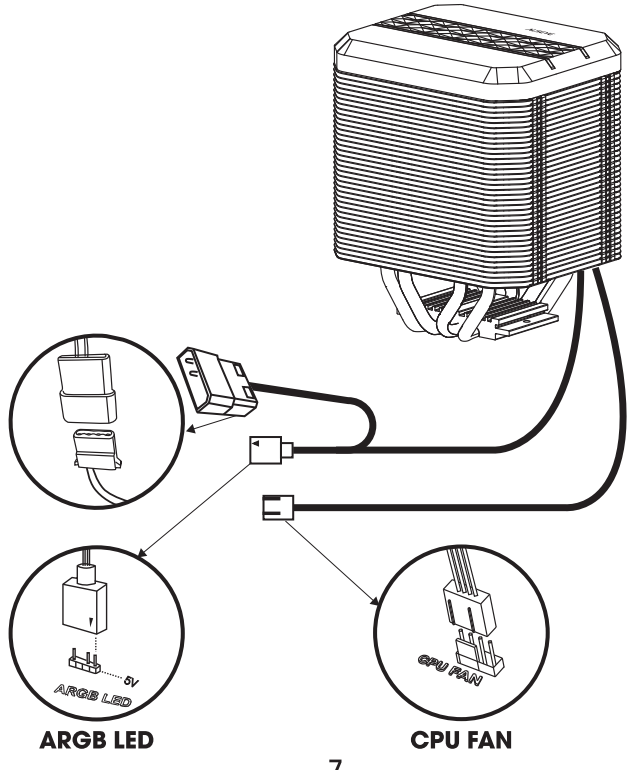


4折页, 单黑说明书
 材质: 80g书写纸
 成品尺寸: 125*105mm



<p>ALSEYE® MAXSERIES</p> <p>M90 CPU COOLER</p>  <p>User's Manual 使用説明書 ユーザーズマニュアル 설명서 Руководство пользователя Benutzerhandbuch Manual del usuario Manual do usuário</p> <p>ALSEYE CORPORATION LIMITED B309, Block B, 3rd floor, Xindushi Plaza, NO.2008 Xinzhou South Road, Futian District, Shenzhen, Guangdong Province, China 86-0755-23600230 support@alseyecorp.com www.alseyecorp.com</p> 	<p>Part List</p> <table border="1"> <tr> <td>A  2 pcs</td> <td>B  2 pcs</td> <td>C  1 pc</td> </tr> <tr> <td>D  2 pcs</td> <td>E  1 pc</td> <td>F  Thermal grease 1 pc</td> </tr> </table> <p>LGA1200/115X  LGA1366 </p> <p>-1-</p>	A  2 pcs	B  2 pcs	C  1 pc	D  2 pcs	E  1 pc	F  Thermal grease 1 pc	<p>Intel LGA1200/115X/1366</p>  <p>-2-</p>	<p>Intel LGA1200/115X/1366</p>  <p>CPU Motherboard</p> <p>-3-</p>
A  2 pcs	B  2 pcs	C  1 pc							
D  2 pcs	E  1 pc	F  Thermal grease 1 pc							

正面

<p>AMD FM1/FM2/AM2/AM2+/AM3/AM3+/AM4</p>  <p>-4-</p>	<p>AMD FM1/FM2/AM2/AM2+/AM3/AM3+/AM4</p> <p>When you install the on AM4 Motherboard, you need to remove the original mounting bracket.</p>  <p>CPU</p> <p>-5-</p>	<p>AMD FM1/FM2/AM2/AM2+/AM3/AM3+/AM4</p>  <p>CPU Motherboard</p> <p>-6-</p>	<p>Connection</p>  <p>ARGB LED CPU FAN</p> <p>-7-</p>
--	--	---	---

背面